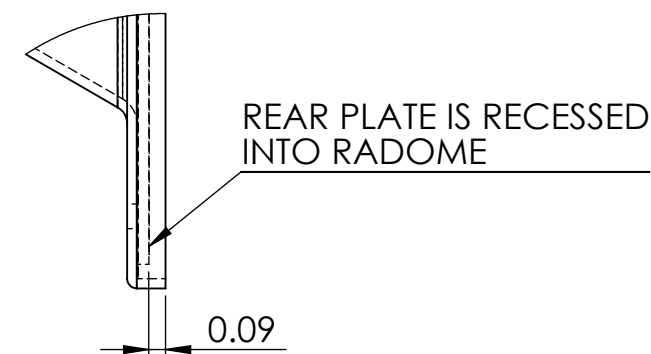
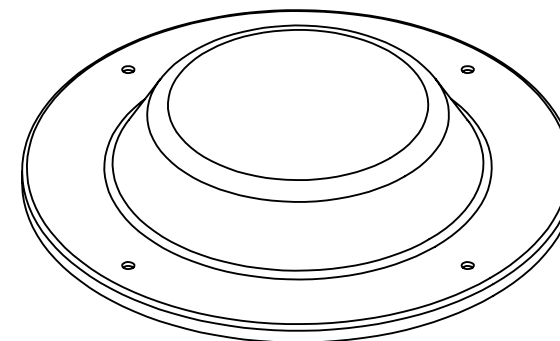
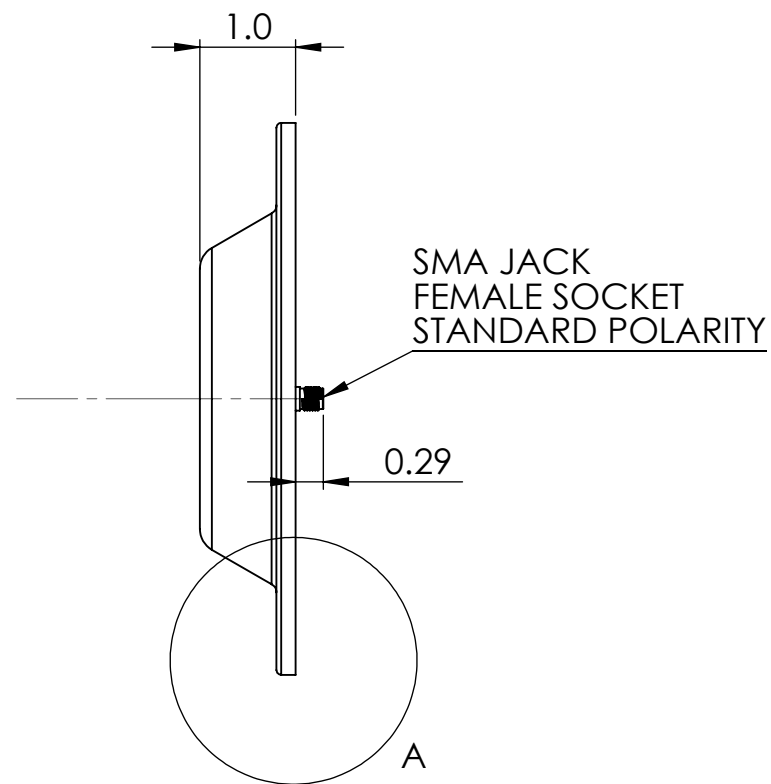
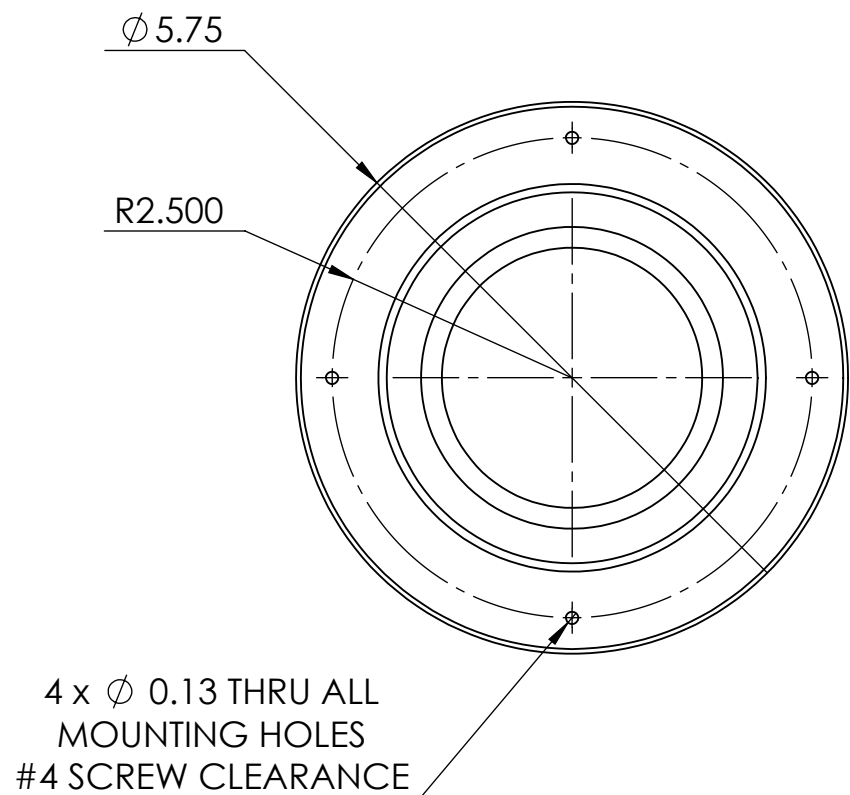

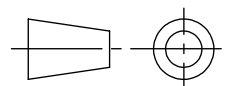


CUSTOMER DRAWING

NOT FOR CONSTRUCTION
DIMENSIONS ARE FOR REFERENCE ONLY



DETAIL A
SCALE 1 : 1

DESIGNED FOR:	UNLESS OTHERWISE SPECIFIED: DIMENSIONS ARE IN INCHES TOLERANCES: FRACTIONAL ± ANGULAR: MACH ± BEND ± TWO PLACE DECIMAL ± THREE PLACE DECIMAL ± INTERPRET GEOMETRIC TOLERANCING PER: ASME Y14.5M-1994	NAME	DATE		R&D OFFICE P.O. BOX 295 STATE COLLEGE, PA 16804 PH: 814-237-3300
DO NOT SCALE DRAWING	MATERIAL	DRAWN	CWF		
PROPRIETARY AND CONFIDENTIAL THE INFORMATION CONTAINED IN THIS DRAWING IS THE SOLE PROPERTY OF STAR-H CORPORATION. ANY REPRODUCTION IN PART OR AS A WHOLE WITHOUT THE WRITTEN PERMISSION OF STAR-H CORPORATION IS PROHIBITED.	FINISH	CHECKED			TITLE: SHLP-01-200-1350-GD CUSTOMER DRAWING 1350 MHz LOW PROFILE
		COMMENTS:	ENG APPR.		
		MFG APPR.			SIZE DWG. NO. REV B SPLW60-00-00-00 1
		Q.A.			SCALE: 1:2 WEIGHT: SHEET 1 OF 1