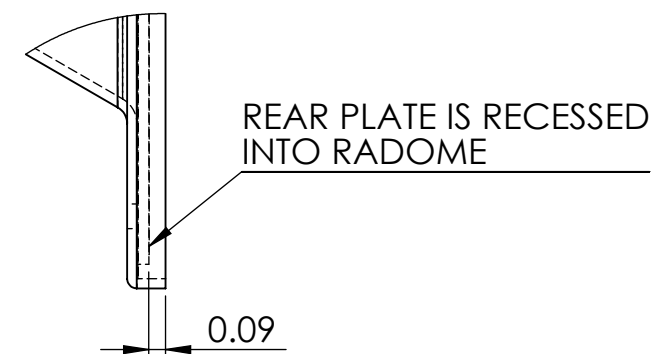
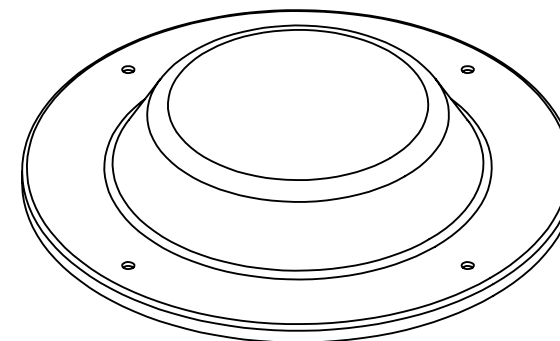
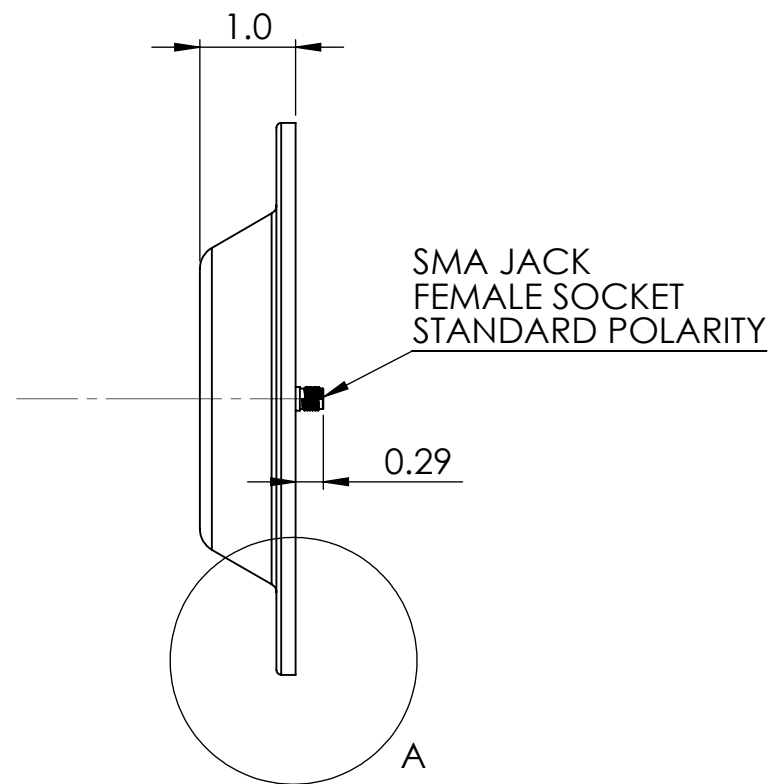
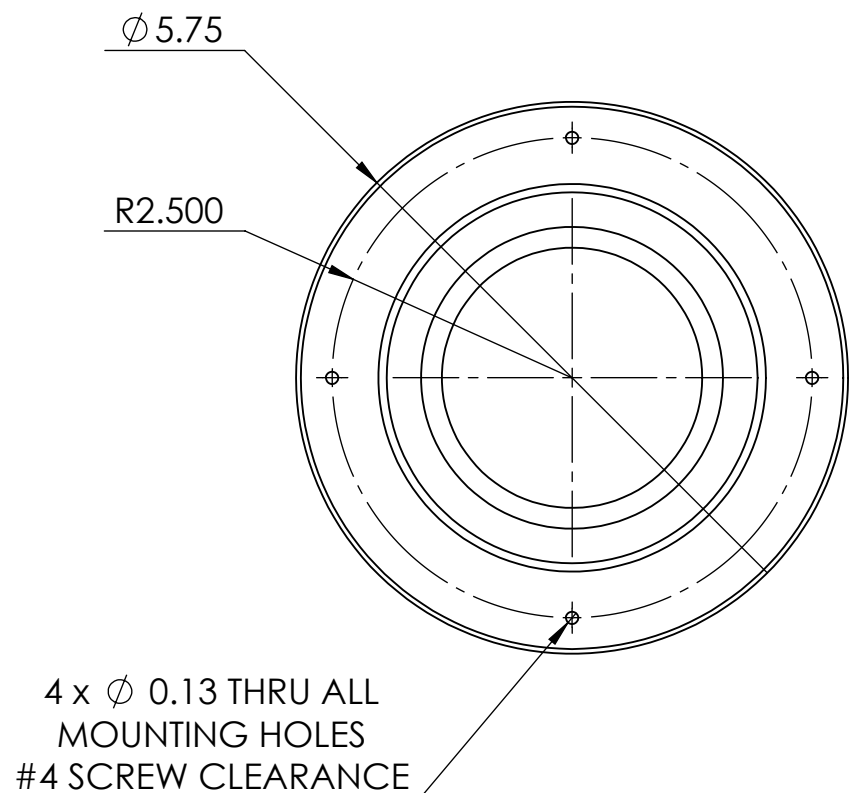

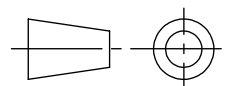


CUSTOMER DRAWING

NOT FOR CONSTRUCTION
DIMENSIONS ARE FOR REFERENCE ONLY



DETAIL A
SCALE 1 : 1

DESIGNED FOR:	UNLESS OTHERWISE SPECIFIED: DIMENSIONS ARE IN INCHES TOLERANCES: FRACTIONAL ± ANGULAR: MACH ± BEND ± TWO PLACE DECIMAL ± THREE PLACE DECIMAL ± INTERPRET GEOMETRIC TOLERANCING PER: ASME Y14.5M-1994	NAME	DATE	 <p>R&D OFFICE P.O. BOX 295 STATE COLLEGE, PA 16804 PH: 814-237-3300</p>	
DO NOT SCALE DRAWING	MATERIAL	DRAWN	CWF		04/04/2014
PROPRIETARY AND CONFIDENTIAL THE INFORMATION CONTAINED IN THIS DRAWING IS THE SOLE PROPERTY OF STAR-H CORPORATION. ANY REPRODUCTION IN PART OR AS A WHOLE WITHOUT THE WRITTEN PERMISSION OF STAR-H CORPORATION IS PROHIBITED.	FINISH	CHECKED			
		ENG APPR.			
		MFG APPR.			
		Q.A.			
		COMMENTS:			
		TITLE:		SHLP-01-250-1750-GD CUSTOMER DRAWING 1750 MHz LOW PROFILE	
		SIZE	DWG. NO.	REV	
		B	SPLW70-00-00-00	1	
		SCALE: 1:2	WEIGHT:	SHEET 1 OF 1	